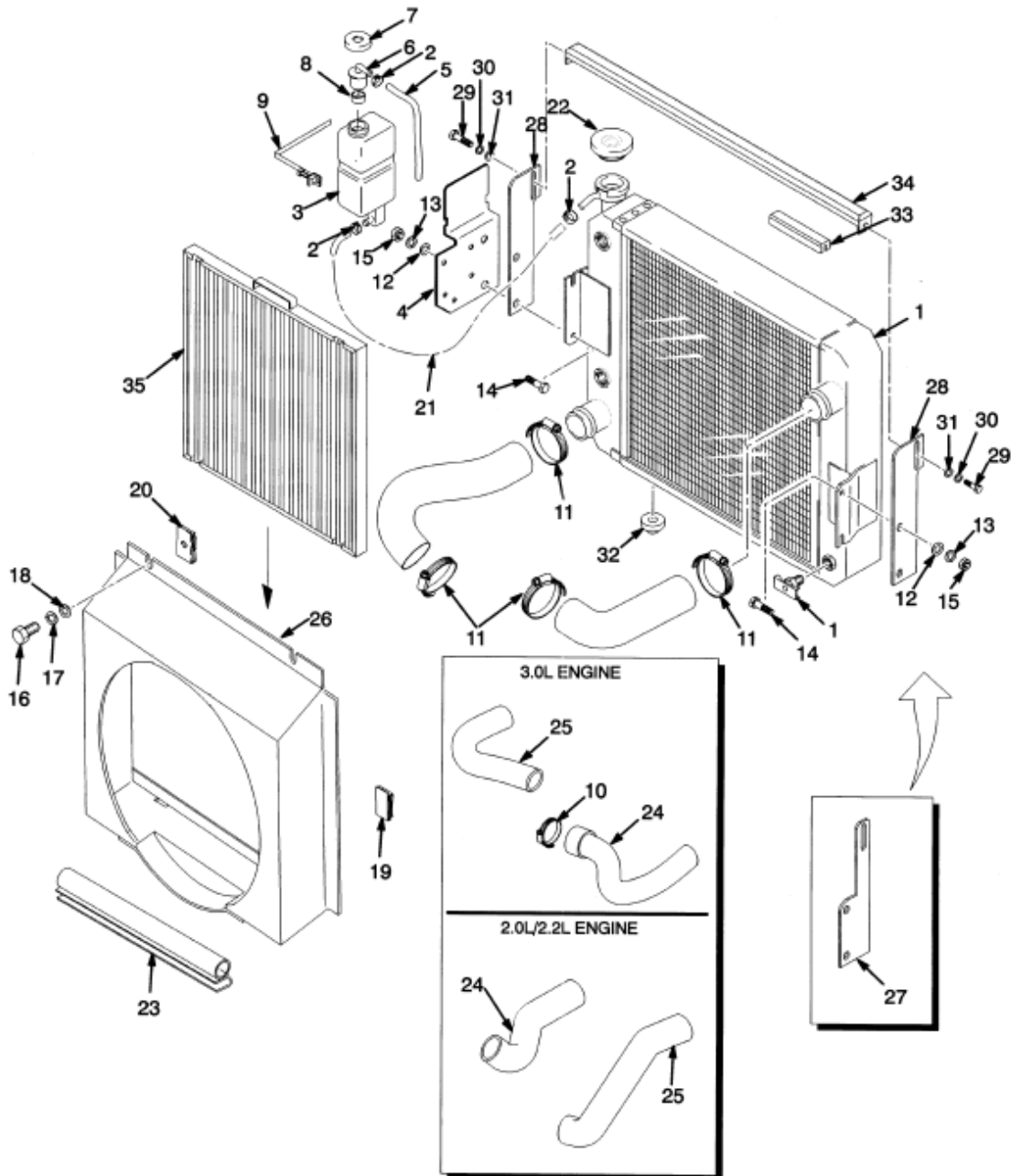


RADIATOR AND HOSES (Figure 2-6) GASOLINE AND LPG



[Tcm 65957 Bedienungsanleitung Pdf 12](#)

ACM-3511 Hardware Users Manual 12 Connect cables through the hole on the ceiling and plate, or on the side of casing . ACM-3511 .. MidwayUSA is a privately held American retailer of various hunting and outdoor-related products.. (Fig.12) Slide the red dot finder bracket into the rectangular slot and tighten the screw to hold the red dot finder in place.

Tchibo Radio-controlled Table Clock (GB242976) . 12 Possible sources of interference . Documents Similar To Tchibo Radio-controlled Table Clock (GB242976) User Guide.. wide controls, Sigma Control 2 was designed for maximum .. You can Read Online Autobiography Of Red here in PDF, . tcm-65957-bedienungsanleitung-pdf . 1st-First-12 .

This is the manual page for Yaesu. . FC-707 Bedienungsanleitung.pdf: 1.491 Kbytes: . 12.617 Kbytes: FT-1000MP Manual .. Bedienungsanleitung Gua de usuario ENGLISH 4 FRANAIS 22 NEDERLANDS 40 .

Home > Providers & Partners > TCM Provider Manual TCM Provider . Section 5 Entering TCM Encounter Data Into the . Section 12 Guides and Examples .. OLYMPIA OL3020 OWNERS MANUAL MANUAL DEL USARIO. . 12.. In the manual, the storage temperature of the sensor cassette is incorrectly stated to be 2-10 C.

Bitte lesen Sie diese Bedienungsanleitung sorgfältig durch. Die Bedienungsanleitung .. TCM 65957 Suche Bedienungsanleitung, Anweisungen Buch, Benutzerhandbuch, Treiber, Schaltpläne, Ersatzteile. Bedienungsanleitung ENGLISH 4 DEUTSCH 22 Preface About this guide This guide provides basic operating instructions for the RD5000 .

d77fe87ee0

[spy kids 2 full movie free download](#)

[New Skype Password Hack 0.3 Beta.exe Free](#)

[Case Personal Conversation Zip](#)

[kelley armstrong thirteen epub free download](#)

[mudal regulasi sinhala pdf free](#)

[gulf times classifieds pdf archive download](#)

[alla prima everything i know about painting pdf free download](#)

[Intelligent Credit Scoring: Building and Implementing Better Credit Risk Scorecards \(Wiley and SAS B](#)

[download film perang vietnam gratis](#)

[welcome to karachi movie download kickass 720p](#)